



GLDA01C



Actual product appearance may vary.

Global Limit Switches Series GLS: Top Roller Plunger, 1NC 1NO SPDT Snap Action, 0.5 in - 14NPT conduit

Features

- Designed to IEC standard for world-wide applications
- UL, CSA, and CE
- International conduit sizes
- Direct PLC interface compatible (two circuit)
- Modular construction reduces maintenance parts costs
- Designed for ease of installation
- Variety of basic switch versions
- Wide choice of actuators

Potential Applications

- Machine tools: metal fabrication equipment, presses, transfer lines and special machinery
- Material handling equipment: conveyors, elevators, cranes, and hoists
- Packaging machinery and process equipment
- Textile machinery
- Construction machinery and equipment, vehicles and lift trucks

Description

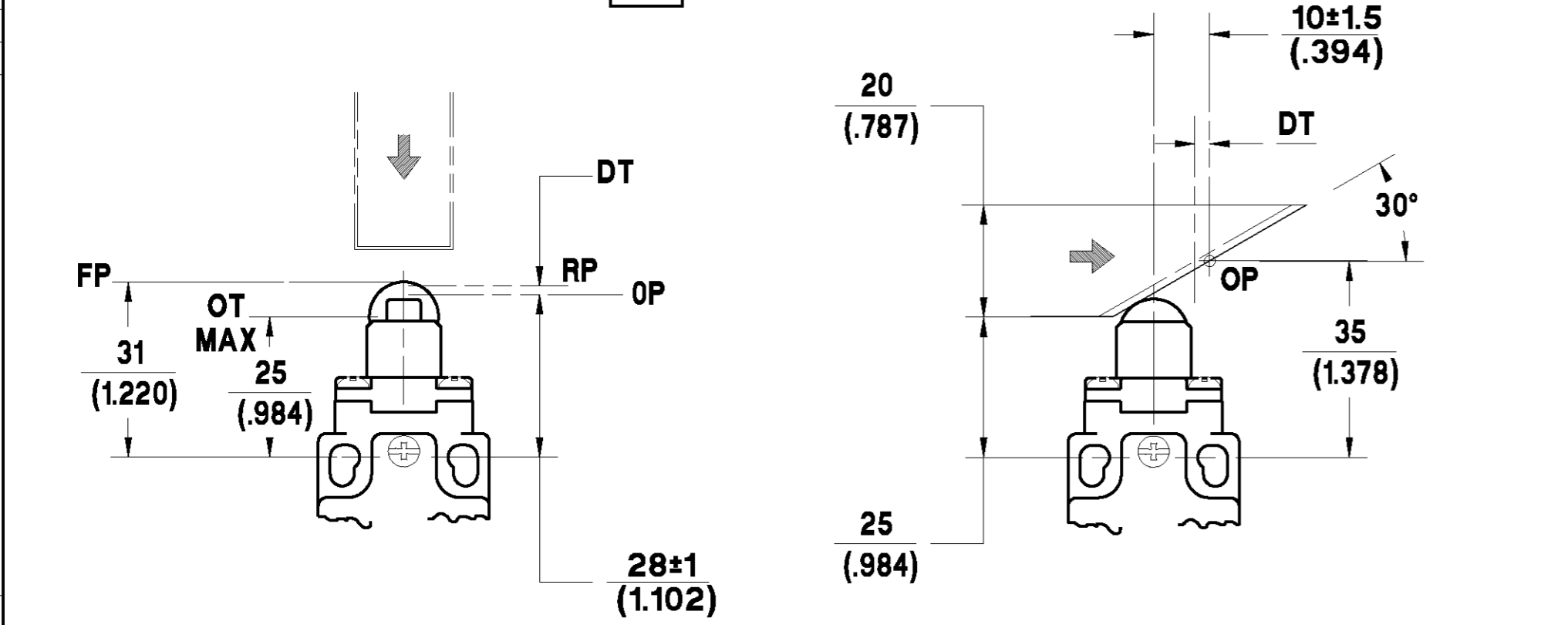
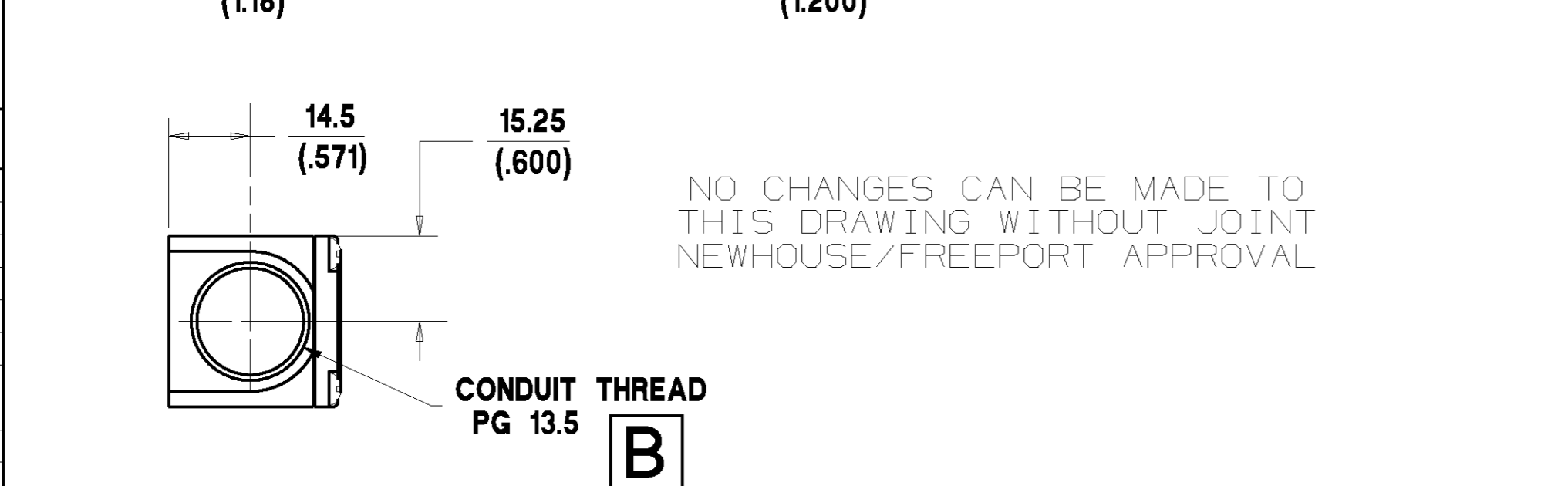
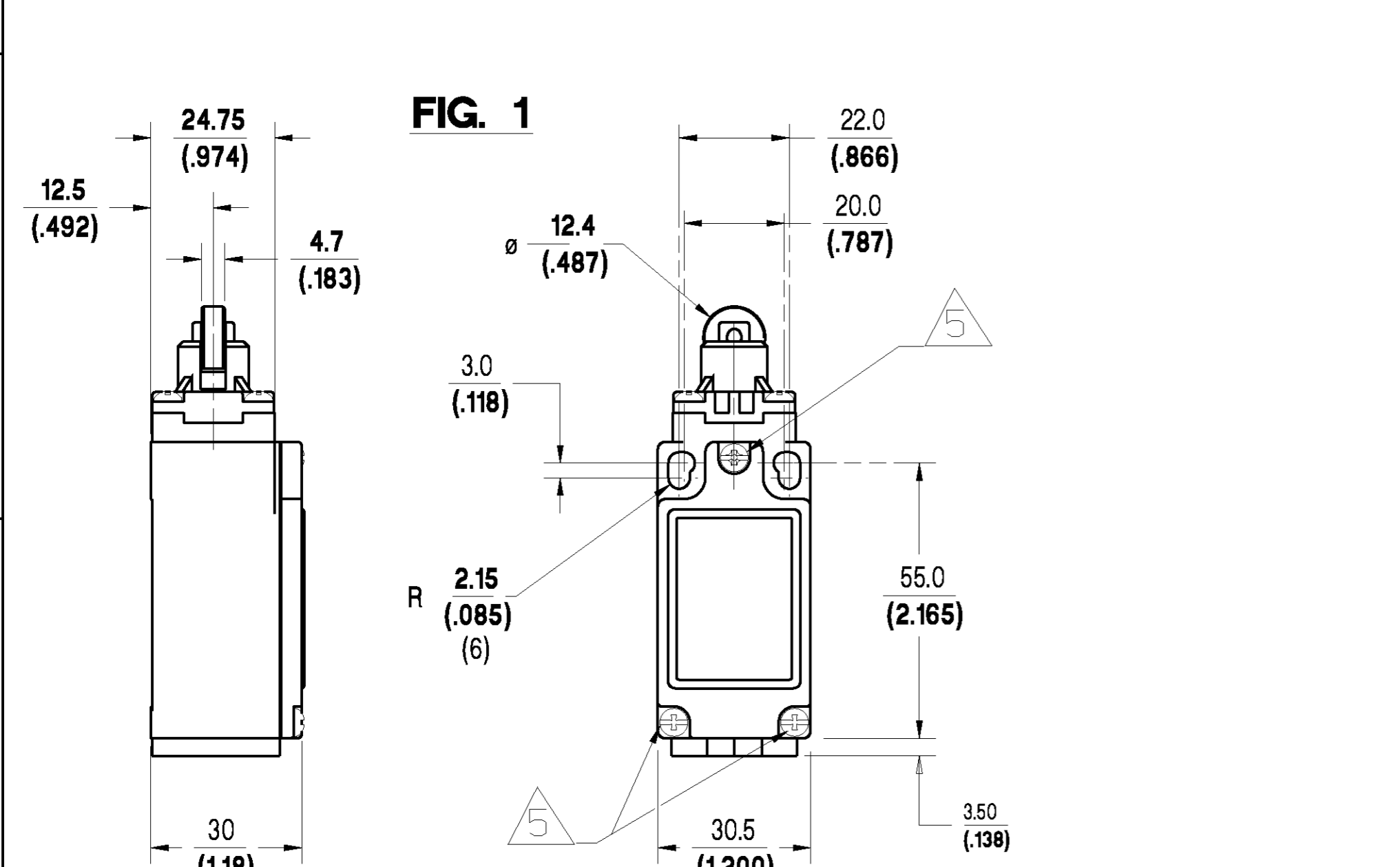
The GLS series limit switches are specifically designed for world-wide applications and are supported by Honeywell global resources for sale and after sale service.

Product Specifications	
Availability	Global
Operating Force (O.F.)	16,0 N [3.60 lb]
Pretravel (P.T.)	3,0 mm [0.12 in]
Overtravel (O.T.)	3,0 mm [0.12 in]
Differential Travel (D.T.)	0,9 mm [0.035 in]
Product Type	EN50041/47 Global Limit Switch
Actuator	Top Roller Plunger
Lever Style	None
Circuitry	1NC 1NO SPDT Snap Action
Ampere Rating	10 A (Thermal)
Supply Voltage	600 Vac and 250 Vdc max.

Housing Material	Plastic
Termination Type	0.5 in - 14NPT conduit
Housing Type	EN 50047
Series Name	GLS MIN-DIN
Shock	50 g per IEC 68-2-27c (w/o Actuator)
Vibration	10 g per IEC 68-2-6 (w/o Actuator)
Sealing	NEMA 1, 12, 13 IP66
Approvals	UL, CSA, CE
CSA File #	LR94369-3
UL File #	E37138 & E157416
Mechanical Life	15 million
Operating Temperature Range	-40 °C to 85 °C [-40 °F to 185 °F]
Agency Approvals and Standards	IEC 947-5-1, EN60947-5-1, UL508, UL746-C
UNSPSC Code	302119
UNSPSC Commodity	302119 Switches and controls and relays
Sealed	Industrial
Operating Position (O.P.)	28.0 mm [1.0 in]

MTG-GL-174
 REPLACES
 DRAWING NUMBER AO18-170
 ISSUE 9
 REVISIONS
 5 7/96 AO18-262
 6 12/96 AO18-293
 7 7/97 CO-000083
 8 8/97 CO-000105
 9 CO/395 I WEIR 6/98
 DRAWN M. LOCH
 CHECK I. WEIR
 DESIGN J. BOYD
 AUTHOR P. TRICKETT
 MODIFY ON CAD3D SYSTEM ONLY

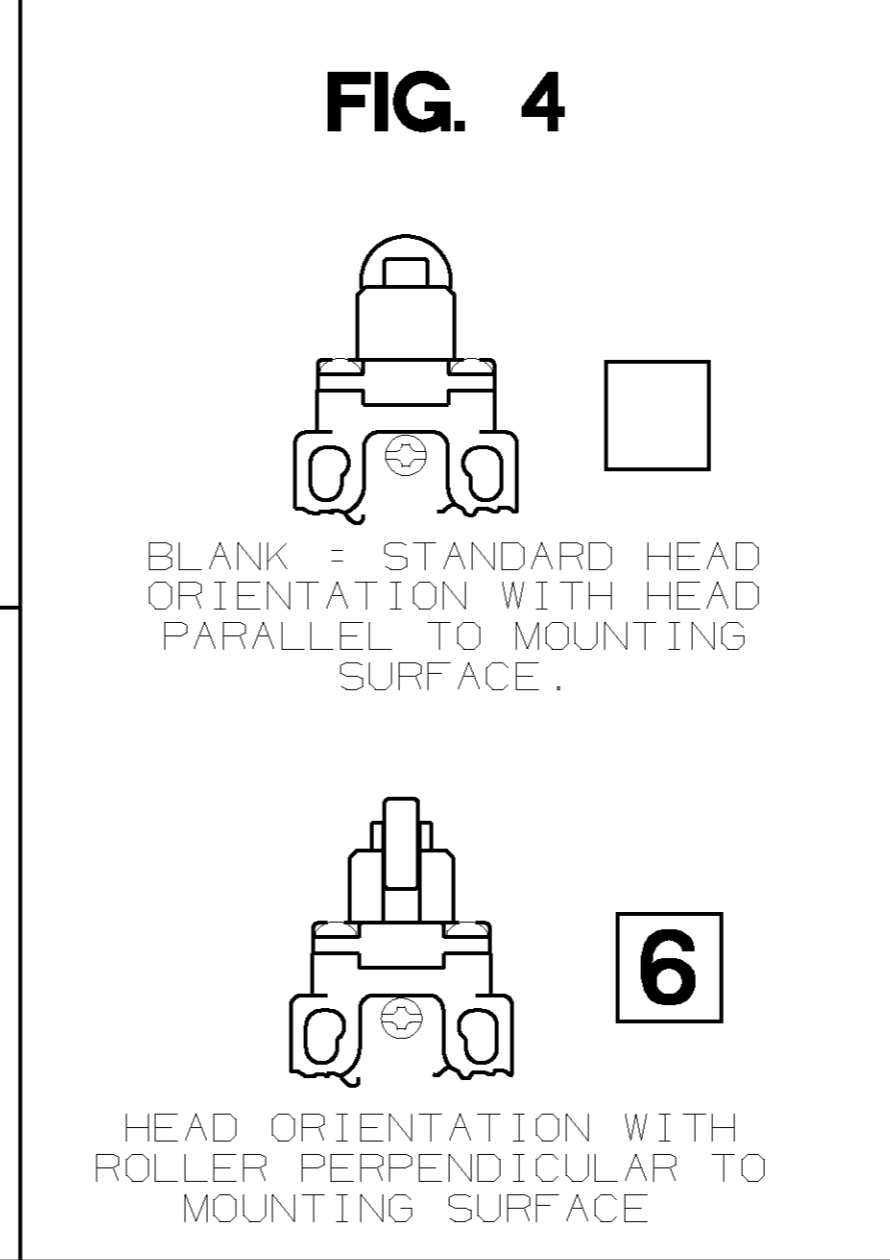
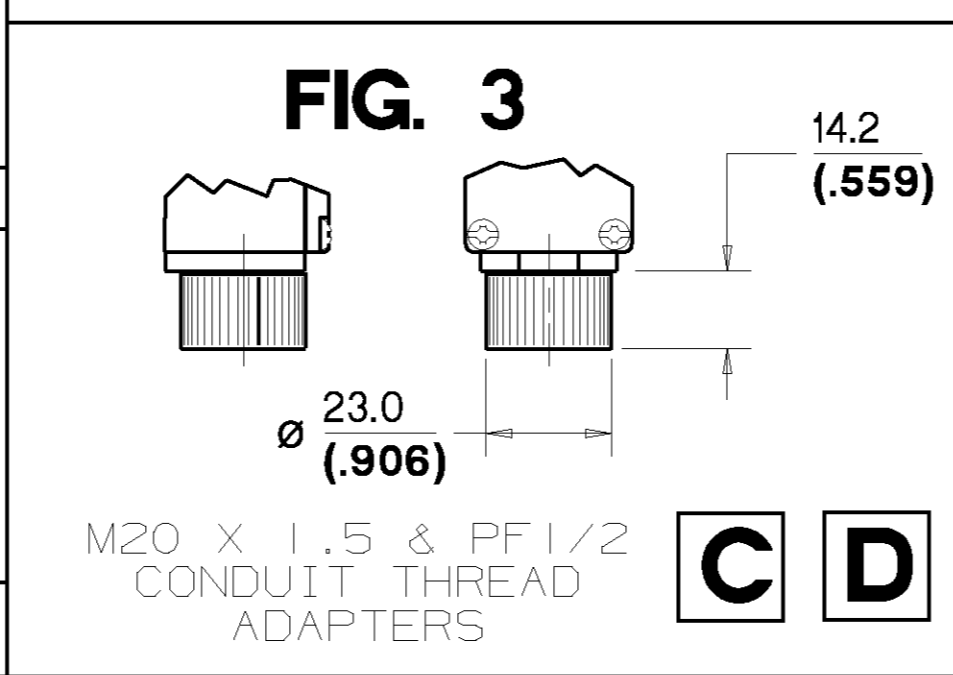
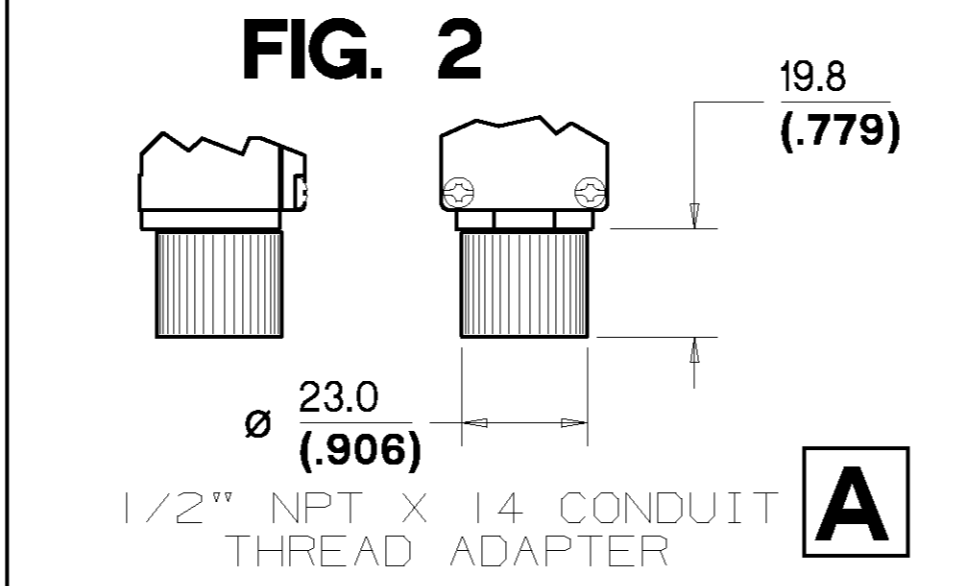
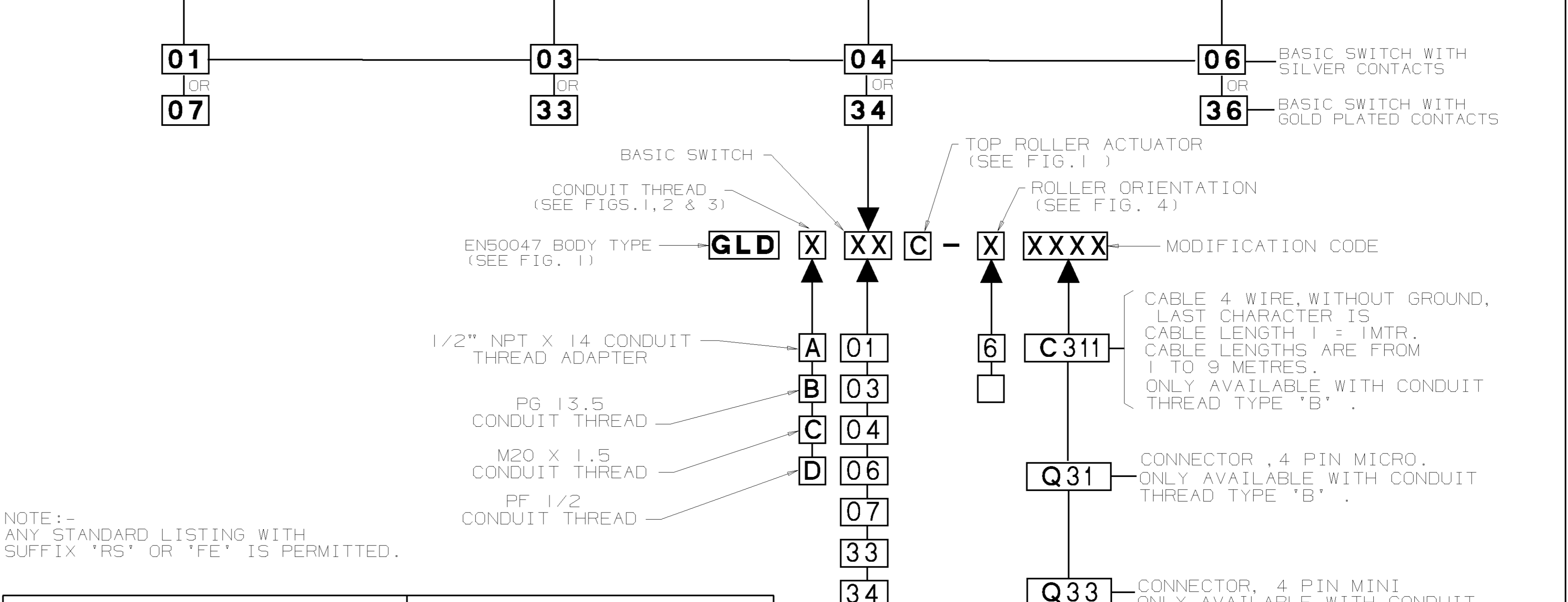
Honeywell
LIMIT SWITCH
 CATALOGUE LISTING
GLS
 CHART NO.
MTG-GL-174



NOTES:-
 1. MICRO SWITCH BLUE GLASS FILLED POLYESTER HOUSING & COVER. BLACK GLASS FILLED POLYAMIDE HEAD.
 2. ENCLOSURE DOUBLE INSULATED TO IEC 539 CLASS II.
 3. MINIMUM OPERATING VELOCITY (V_{min}) = 1.0 MM/S (THESE LIMITS APPLY TO CAM OPERATION AS SHOWN IN THE ABOVE DIAGRAMS ONLY)
 MAXIMUM OPERATING VELOCITY (V_{max}) = 100 MM/S
 MAXIMUM OPERATING FREQUENCY (F_{max}) = 250 OPS/MIN
 4. FREE POSITION (FP), OPERATING POINT (OP), OVERTRAVEL (OT) AND PRETRAVEL (PT) AL TO EN50047.
 5. MAXIMUM TIGHTENING TORQUE FOR FIXING SCREW = 0.5Nm (4.4in.LB)

IEC 947-5-1 ELECTRICAL RATING			ENVIRONMENTAL		APPROVALS
SILVER CONTACTS			GOLD PLATED CONTACTS		UL IEC 947-5-1 EN50047
AC	AC (FOR 2NC)	DC	IP66	NEMA 1, 4, 12, 13	
A600 AC15 U _e I _e	A500 AC15 U _e I _e	O500 DC13 U _e I _e	TEMP RANGE: -25°C TO 85°C -13°F TO 185°F		
120 5 240 5 380 1.5 480 1.5 500 1.4 600 1.4	120 5 240 5 380 1.5 480 1.5 500 1.4	120 5 250 0.27	STORAGE: -40°C TO 85°C -40°F TO 185°F		
VOLTS AMPS			SHOCK: 50G PER IEC 68-2-27		
I _{th} = 10A			VIBRATION: 10G PER IEC 68-2-6		
1V 10µA MIN. 50V 100mA MAX.					

CONTACT BLOCK DIAGRAM TERMINAL DESIGNATION TO EN 50013	NOMINAL TRAVELS AND RELATED TERMINALS	NORMAL OPERATING FORCE MAX	MAXIMUM DISCONNECT FORCE
SNAP-ACTION CONTACTS 		16 (3.6)	23 (5.2)
SLOW-ACTION CONTACTS (BREAK BEFORE MAKE) 		14 (3.2)	24 (5.4)
SLOW-ACTION CONTACTS (MAKE BEFORE BREAK) 		16 (3.6)	27 (6.1)
SLOW-ACTION CONTACTS (2 NORMALLY CLOSED) 		13 (2.9)	23 (5.2)



NOTE:- ANY STANDARD LISTING WITH SUFFIX 'RS' OR 'FE' IS PERMITTED.
 CABLE 4 WIRE, WITHOUT GROUND. LAST CHARACTER IS CABLE LENGTH l = lMTR. CABLE LENGTHS ARE FROM 1 TO 9 METRES. ONLY AVAILABLE WITH CONDUIT THREAD TYPE 'B'.
 CONNECTOR, 4 PIN MICRO. ONLY AVAILABLE WITH CONDUIT THREAD TYPE 'B'.
 CONNECTOR, 4 PIN MINI. ONLY AVAILABLE WITH CONDUIT THREAD TYPE 'B'.
 NOTE FOR CONNECTION DIAGRAMS AND ADDITIONAL ELECTRICAL, ENVIRONMENTAL & DIMENSIONAL INFORMATION SEE DRAWING GL-49212